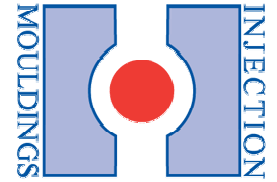
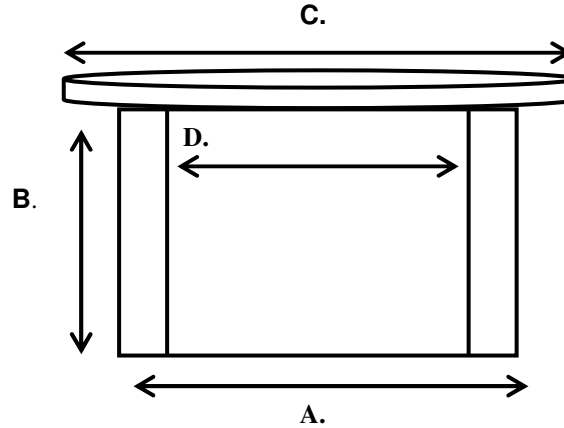


McLAREN PLASTICS LTD.

Pentland Industrial Estate, Loanhead, Midlothian Scotland EH20 9QH.
 Telephone: +44 (0)131 448 2200 • Fax: +44 (0)131 448 2221
 Email: sales@mclaren-plastics.co.uk • www.mclaren-plastics.co.uk



CORE PLUGS / REEL ENDS

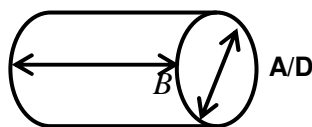


COMPONENT	CODE	TUBE O.D A	DEPTH B	FLANGE C	I.D. D.	SACK QTY	MATERIAL
19 MM REEL END	S0501	19 mm	19 mm	28.5 mm	15.5mm	5000	Polystyrene
25.4 MM REEL END	S0502	26 mm	12.7mm	35 mm	22 mm	4000	Polystyrene
25.4MM SHALLOW END	S0503	26 mm	12 mm	27 mm	23 mm	8000	Polystyrene
70 MM REEL END	S2601	70 mm	16 mm	81mm	65 mm	900	Polyprop.
POLYBUNG	I0101	75.5mm	33 mm	90.5 mm	70 mm	420	Polyprop.
3" CORE PLUG	I0102	72.5mm	90 mm	99 mm	68 mm	100	Polyprop.
3" LONG CORE PLUG	I0105	76 mm	120 mm	99 mm	68 mm	70	Polyprop.
3" SHORT CORE PLUG	W0403	72.5mm	50 mm	99 mm	68 mm	125	Polyprop.
3" LIGHTWEIGHT PLUG	W0403LW	72.5mm	90 mm	99 mm	68 mm	90	Polyprop.
6" CORE PLUG	I0104	152 mm	99 mm	171 mm	141 mm	420	Polyprop.
6" LONG CORE PLUG	I0108	152 mm	125 mm	184 mm	131 mm	360	Polyprop.

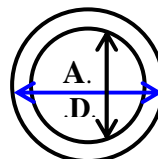
ALL DIMENSIONS ARE IN MILLIMETRES

COMPONENT	CODE	O.D. A	B	C	I.D. D	SACK QTY	MATERIAL
24.8 mm TUBE	W0402	24.8	36.0	---	21.5	2000	Polystyrene
24.8 mm TUBE	W0401	24.8	72.0	---	21.5	1000	Polystyrene
594 S PLUG	I0107	149	28.0	---	144.0	126	Polystyrene
3 mm RING	A4101P	84.0	3.0 wide	---	76.5	2250	Polystyrene
19.5 mm RING	A4102P	84.0	19.5 wide	---	76.5	500	Polystyrene
15 mm RING	A4103P	84.0	15.0	---	76.0	700	Polystyrene
22 mm RING	A4104P	84.0	22.0	----	76.0	500	Polystyrene
25 mm RING	A4105P	84.0	25.0	---	76.0	400	Polystyrene
DOUBLE SIDED FLANGE	I0103	75.0	16.1/14.6	88.5	70.0	480	Polystyrene

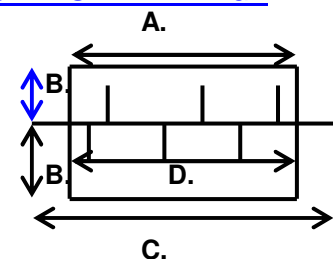
TUBE



RING / PLUG



DOUBLE SIDED FLANGE



SPECIALIST INJECTION MOULDERS
 SERVING INDUSTRY WITH QUALITY AND SERVICE SINCE 1960

REGISTERED OFFICE: PENTLAND INDUSTRIAL ESTATE, LOANHEAD, MIDLOTHIAN EH20 9QH • REGISTERED IN SCOTLAND NO. 35460

